

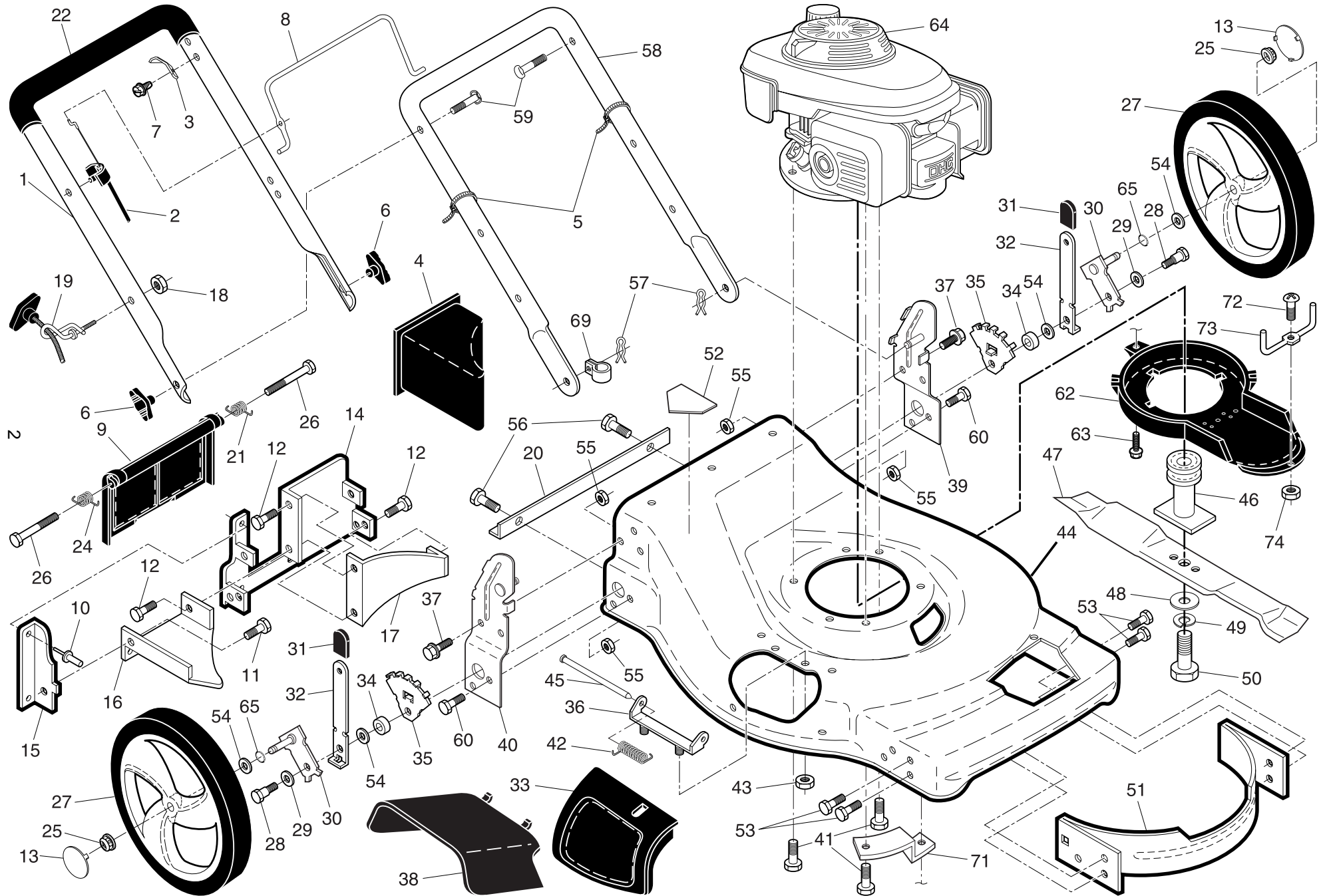
ILLUSTRATED PARTS LIST

MODEL NUMBER EDITION 1XXL-R

PRODUCT NUMBER 961 41 01-63

MFG. ID. NUMBER 96141016300

ROTARY LAWN MOWER - - MODEL NUMBER EDITION 1XXL-R (96141016300) PRODUCT NO. 961 41 01-63



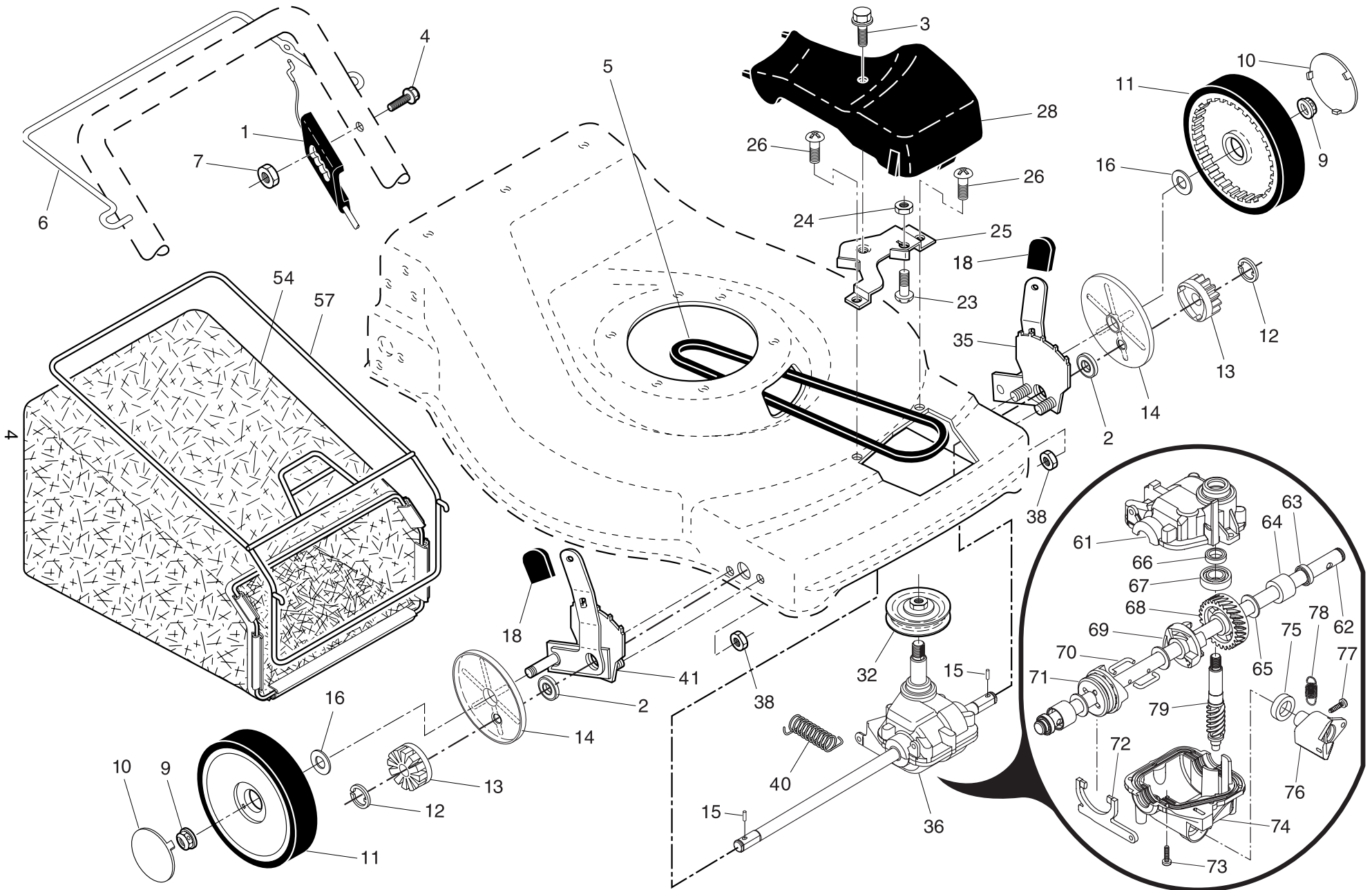
ROTARY LAWN MOWER - - MODEL NUMBER EDITION 1XXL-R (96141016300) PRODUCT NO. 961 41 01-63

KEY NO.	PART NO.	DESCRIPTION	KEY NO.	PART NO.	DESCRIPTION
1	532 40 31-96	Upper Handle	39	532 19 71-50	Handle Bracket Assembly, LH
2	532 18 35-67	Engine Zone Control Cable	40	532 19 71-51	Handle Bracket Assembly, RH
3	532 12 51-62	Bracket, Upstop	41	532 15 04-06	Screw, Hex Head, Threaded, Rolled 3/8-16 x 1-1/8
4	532 16 66-49	Mulcher Plug	42	532 19 30-00	Spring, Torsion
5	532 06 64-26	Wire Tie	43	873 80 04-00	Nut, Hex, Nylock
6	532 19 19-38	Handle Knob	44	532 40 21-62	Kit, Lawn Mower Housing (Includes Key Numbers 14, 15 and 51)
7	532 75 06-34	Screw			
8	532 19 84-64	Control Bar	45	532 17 56-50	Rod, Hinge
9	532 40 84-92	Rear Door	46	532 19 40-37	Blade Adapter / Pulley
10	532 12 84-15	Pop Rivet	47	532 19 93-79	Blade, 22"
11	532 15 00-50	Screw, Self-Tapping #10-24 x 5/8	48	532 85 10-74	Washer, Hardened
12	532 05 45-83	Screw, Hex Hex Head, Sems 1/4-20 x 1/2	49	532 85 02-63	Washer, Helical
13	532 19 18-53	Hubcap 3"	50	532 85 10-84	Screw, Machine, Hex Head 3/8-24 x 1-3/8 Grade 8
14	532 19 84-65	Back Plate	51	532 17 04-91	Front Baffle
15	532 41 13-34	Side Baffle	52	532 18 21-66	Danger Decal
16	532 17 71-33	Discharge Baffle	53	817 60 04-06	Screw
17	532 14 89-41	Rear Baffle	54	532 08 83-48	Washer
18	532 13 20-04	Keps Locknut 1/4-20	55	532 75 15-92	Locknut, Hex 3/8-16
19	532 19 47-88	Rope Guide	56	532 14 66-94	Screw 1/4-20
20	532 14 76-25	Footguard	57	532 05 17-93	Hairpin Cotter
21	532 40 54-21	Spring, Rear Door, LH	58	532 15 50-44	Lower Handle
22	532 18 63-62	Grip, Foam	59	532 19 15-74	Handle Bolt
24	532 40 54-23	Spring, Rear Door, RH	60	874 76 06-12	Bolt
25	532 40 91-48	Nut, Hex, Flanged	62	532 19 93-14	Debris Shield
26	532 18 41-93	Bolt, Rear Door	63	532 19 23-25	Screw, Debris Shield
27	532 18 05-52	Wheel & Tire Assembly, Rear	64	- - -	Engine, Honda, Model Number GCV190 (Order parts from Engine manufacturer)
28	532 14 27-48	Bolt, Shoulder 3/8-16 x 1			
29	532 06 16-51	Washer, Belleville	65	532 19 74-80	O-Ring
30	532 16 22-33	Axle Arm Assembly	69	532 19 79-91	Clip, Cable
31	532 19 00-69	Selector Knob	71	532 19 09-39	Mounting Bracket, Debris Shield
32	532 19 84-56	Selector Spring	72	532 18 22-27	Screw, Machine #8
33	532 19 60-53	Mulcher Door	73	532 19 71-62	Belt Keeper
34	532 14 66-30	Spacer	74	532 18 22-28	Nut, Hex #8
35	532 41 06-26	Wheel Adjusting Bracket	--	532 18 21-91	Warning Decal (not shown)
36	532 17 57-35	Hinge Bracket Assembly	--	532 41 21-16	Operator's Manual, European
37	532 15 00-78	Screw, Sems, Thread Cutting 5/16-18 x 3/4	--	532 41 21-19	Operator's Manual, Scandinavian
38	532 40 30-73	Discharge Deflector	--	532 41 21-18	Operator's Manual, East Bloc
			--	532 41 21-17	Operator's Manual, Baltic

NOTE: All component dimensions given in U.S. inches. 1 inch = 25.4 mm

IMPORTANT: Use only Original Equipment Manufacturer (O.E.M.) replacement parts. Failure to do so could be hazardous, damage your lawn mower and void your warranty.

ROTARY LAWN MOWER - - MODEL NUMBER EDITION 1XXL-R (96141016300) PRODUCT NO. 961 41 01-63



ROTARY LAWN MOWER - - MODEL NUMBER EDITION 1XXL-R (96141016300) PRODUCT NO. 961 41 01-63

KEY NO.	PART NO.	DESCRIPTION	KEY NO.	PART NO.	DESCRIPTION
1	532 40 02-92	Drive Control Assembly (Includes Cable)	38	873 80 04-00	Locknut, Hex 1/4-20
2	532 19 10-39	Bearing, Wheel Adjuster	40	532 19 28-49	Spring
3	532 17 52-62	Pan Head Tapping Screw #10-24 x 2-3/4	41	532 40 90-98	Kit, Wheel Adjuster, RH (Includes Knob and Bearing)
4	532 19 96-87	Screw	54	532 41 06-87	Grassbag Assembly
5	532 19 68-57	V-Belt	57	532 40 74-54	Frame, Grassbag
6	532 19 84-53	Bar, Control, Drive	61	532 19 68-86	Case, Upper
7	532 19 17-30	Nut, Hex	62	532 19 70-57	Shaft, Output
9	532 40 91-49	Locknut, Hex	63	532 18 35-08	Seal, Output Shaft
10	532 18 06-26	Hubcap 8"	64	532 18 35-11	Bushing
11	532 18 07-75	Wheel & Tire Assembly	65	532 18 35-09	Washer
12	812 00 00-58	E-Ring	66	532 18 35-14	Seal, Worm Shaft
13	532 40 38-49	Pinion	67	532 18 35-06	Bearing, Ball
14	532 18 94-03	Dust Cover	68	532 18 34-99	Gear, 27 Teeth
15	532 40 48-45	Pawl, Drive	69	532 19 68-84	Fixed Dog Clutch
16	532 06 77-25	Washer, Flat 3/8	70	532 18 35-05	Wireform
18	532 70 10-37	Selector Knob	71	532 19 68-83	Movable Dog Clutch
23	532 08 86-52	Screw	72	532 19 68-82	Fork
25	532 19 73-86	Belt Guide Bracket	73	532 18 35-13	Screw, Case
26	532 19 23-25	Screw	74	532 19 68-81	Case, Lower
28	532 19 60-56	Drive Cover	75	532 19 68-80	Seal, Lever
32	532 19 40-18	Drive Pulley	76	532 19 68-79	Lever
35	532 40 90-97	Kit, Wheel Adjuster, LH (Includes Knob and Bearing)	77	532 19 68-78	Screw, Lever
36	532 19 16-36	Gear Case Assembly, Complete	78	532 19 68-77	Spring
			79	532 18 35-02	Shaft, Worm

NOTE: All component dimensions given in U.S. inches. 1 inch = 25.4 mm

IMPORTANT: Use only Original Equipment Manufacturer (O.E.M.) replacement parts. Failure to do so could be hazardous, damage your lawn mower and void your warranty.